

AMBIUS

LED SERIES

DIRECT CONNECT DOWNLIGHT

WARM WHITE
3000K

ADLEDAC10W



Product Features

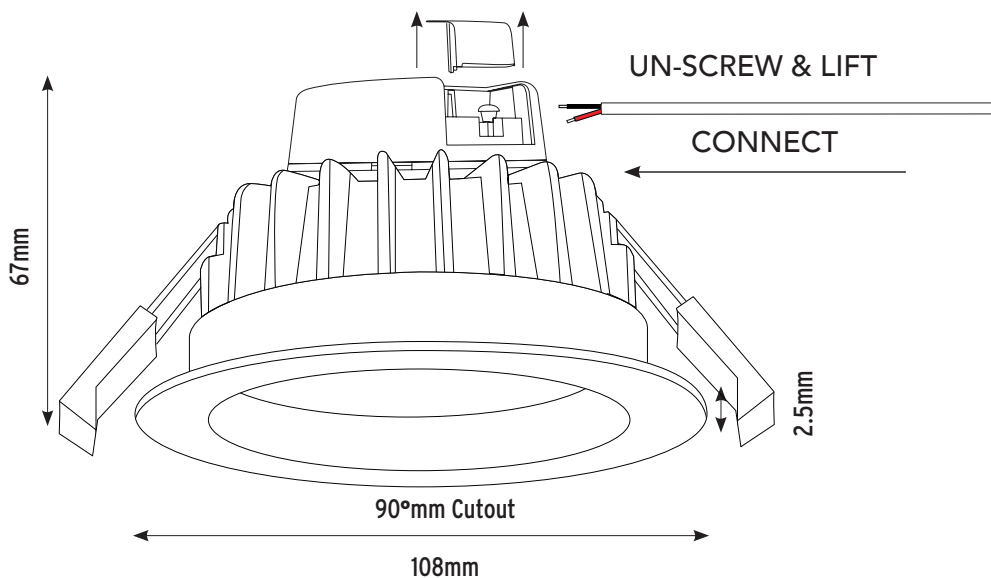
- 10W
- 800 Lumens
- 90mm Cut Out
- White Polycarbonate
- Dimmable
- IP44

Technical information

- 220-240V-50Hz

Admin info

- Outer Carton: 4
- Barcode: 9420014236782



CDB  GOLDAIR

PO Box 100-707
North Shore Mail Centre
Auckland

www.ambiuslighting.co.nz