

Specifications Elan 30S

Elan Heated Towel Ladder

Model: 30S - Square

Code: ELA-7007L (left wiring)

ELA-7007R (right wiring)

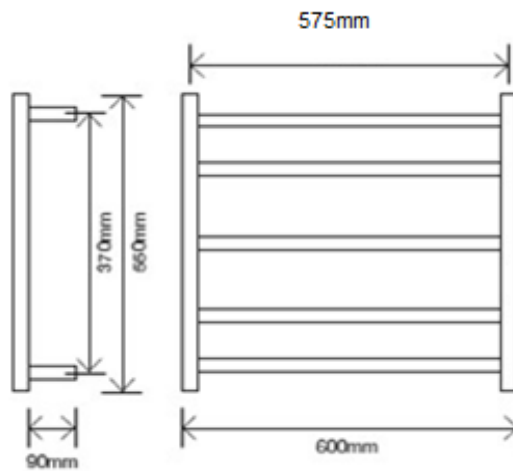
ELA-8A02 (dual wiring)

Measurements

600W x 550H x 90Dmm

Width Centres 575mm

Vertical Centres 370mm



Features

5 Rails

High Mirror Polish

Quality Stainless Steel

Left or Right Wiring Option

Concealed or Exposed Wiring

Dual Wiring – **Australia Only**

Electrical Specifications

230-240v Volts ac, 50Hz

55 Watts

IP Rating 44

Complies to Standards AS/NZS 60335.2.43

7 Year Warranty on Manufacturing or Material Faults – Domestic installations only
Alexander Mfg reserves the right to change specifications without prior notice