

Specifications Elan 60S

Elan Heated Towel Ladder

Model: 60S - Square

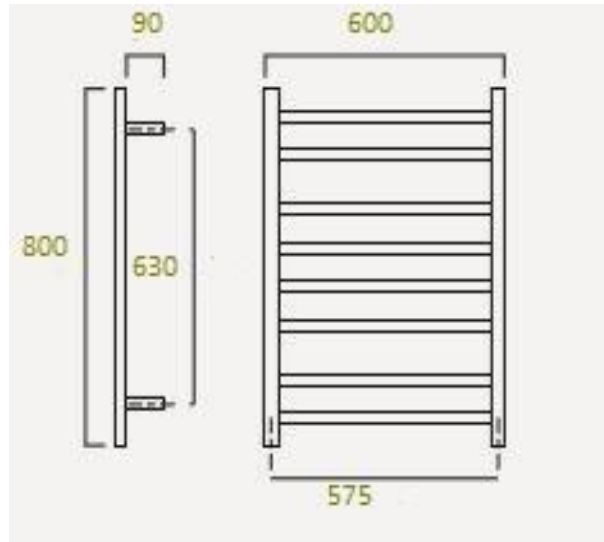
Code: ELA-8A08 (dual wiring)

Measurements

800W x 600H x 90Dmm

Width Centres 575mm

Vertical Centres 630mm



Features

8 Rails

High Mirror Polish

Quality Stainless Steel

Dual Wiring

Concealed or Exposed Wiring

Electrical Specifications

230-240v Volts ac, 50Hz

85 Watts

IP Rating 55

Complies to Standards

AS/NZS 60335.1.2012